

Feuille Réponse des Exercices 3 et 4

NOM : _____

PRENOM : _____

3-QCM (35 minutes)

justification éventuelle

- Question 1**
- a. boolean
 - b. int[]
 - c. char
 - d. String

- Question 2**
- a. FFEA
 - b. E9
 - c. EB
 - d. EA

- Question 3**
- a. ...a...
 - b. ...new Integer(a)...
 - c. ...(Object)a...
 - d. ...(Object)new Integer(a)...

- Question 4**
- a. ...list.get(0)
 - b. ...(LinkedList) list.get(0)
 - c. ...((String)list).get(0)
 - d. ...(String)list.get(0)

- Question 5**
- a. 0A0C
 - b. 0A33
 - c. 0A19
 - d. 0A00

- Question 6**
- a. $n \bmod 2 = 0$
 - b. $n \bmod 2 = 0$ and $n > 0$
 - c. $\exists i \in \mathbb{N}^+ \quad |n| = 2^i$
 - d. $\exists i \in \mathbb{N}^+ \quad n = 2^i$ (and $n > 0$)

- Question 7**
- a. int f1(int n)
 - b. int f2(int n)
 - c. int g1(int n)
 - d. int g2(int n)

- Question 8**
- a. .
 - b. .
 - c. .
 - d. .

4-Héritage (40 minutes)

Question 1

Question 2

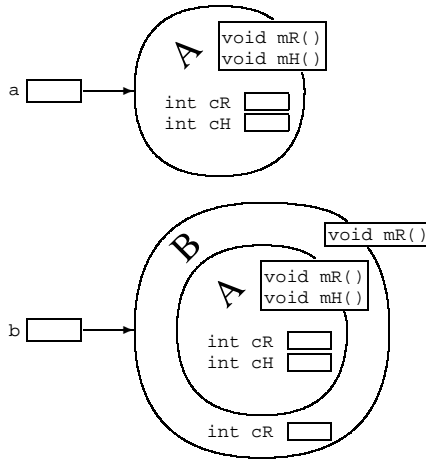
Question 3

Question 4

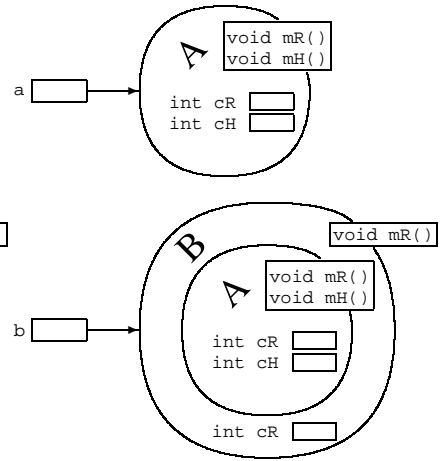
Question 5

Question 6

Question 1.2.3



Question 4.5



Question 6

